

Cathode air blower FC-8040



Pressure Type

Built-in use

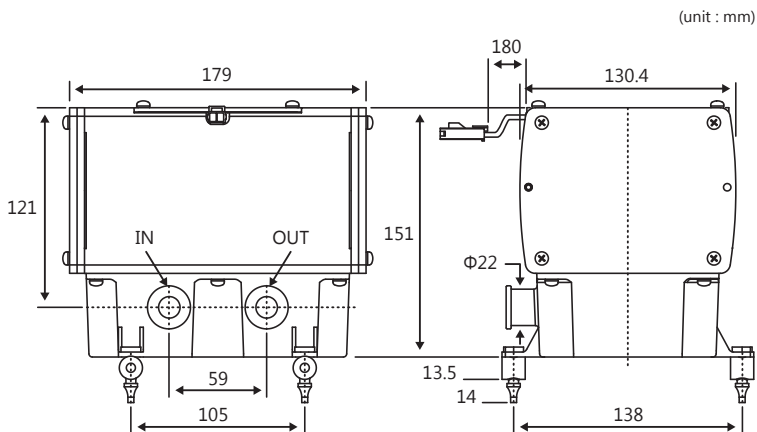
*No power plug included because it is designed for built-in use.

*Rubber-made legs are sharp-pointed. Not for self-standing installation.

Applications

- Fuel cell system

Dimensions



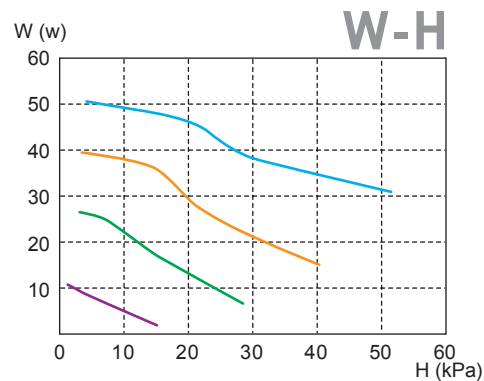
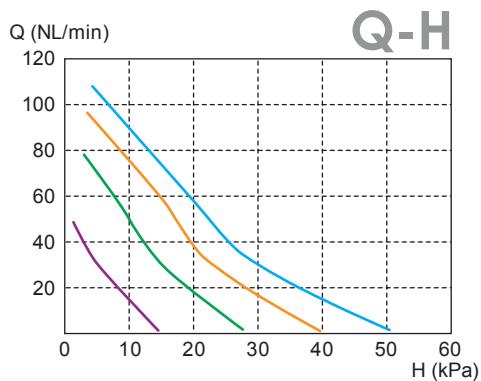
Specifications

Fluid	AIR	
Rated voltage	AC17V	
Frequency	50Hz	
	<PRESSURE>	<AIRFLOW>
Rated operating cond.	12kPa (120mbar)	50NL/min
Max operating cond.	15kPa (150mbar)	60NL/min
Min operating cond.	3kPa (30mbar)	20NL/min
Power consumption	26W ^(*1)	
Noise level	42dBA or less ^(*1)	
Size	3.4L ^(*2)	
Weight	5.6kg ^(*2)	

*1: Without AIRTRONICS control driver.

*2: With AIRTRONICS control driver.

Performance Curve



Control voltage

- 5V
- 4V
- 3V
- 2V

* Performance curves mentioned above are reference values by operation with Airtronics control driver.

* All characteristics values are only for reference, and are not guaranteed values.

* Note that the operating temperature for our pumps is 41°F(5°C) to 104°F(40°C).