

Small capacity air pump

# HP-20



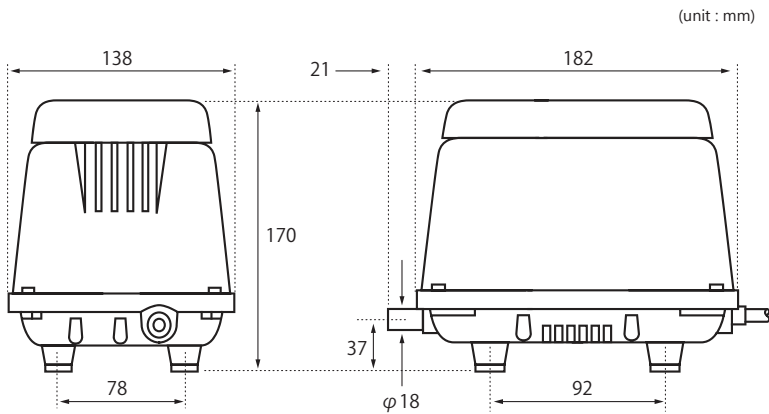
Pressure type

Outdoor (Rainproof) use

### Applications

- Septic tank (biological contact aeration)
- Bubble bath (air bubble injection)
- Oxygen supply for fish breeding

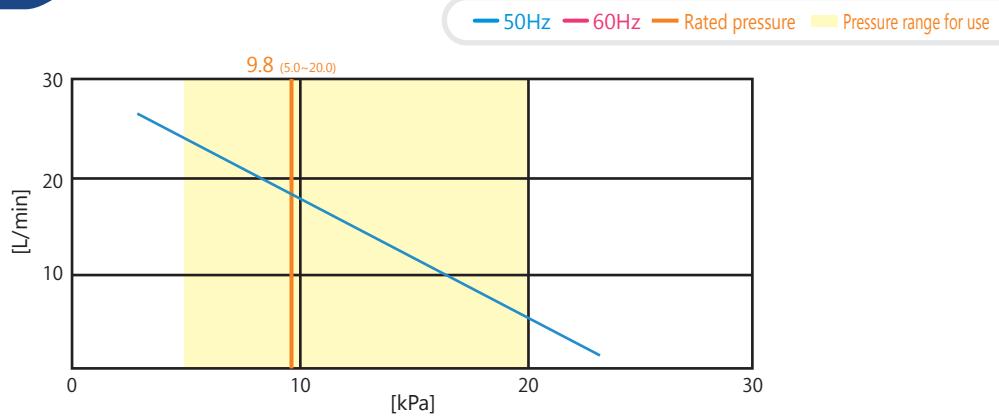
### Dimensions



### Specifications

|                          | HP-20       |    |
|--------------------------|-------------|----|
| Rated voltage [ V ]      | AC120 / 230 |    |
| Power frequency [ Hz ]   | 50          | 60 |
| Rated pressure [ kPa ]   | 9.8         |    |
| Airflow volume [ L/min ] | 18          | 20 |
| Power consumption [ W ]  | 17          |    |
| Sound level [ dBA ]      | 31          |    |
| Weight [ kg ]            | 3.2         |    |

### Performance Curve



\* All characteristics values are only for reference, and are not guaranteed values.  
\* Note that the operating temperature for our pumps is 41°F(5°C) to 104°F(40°C).