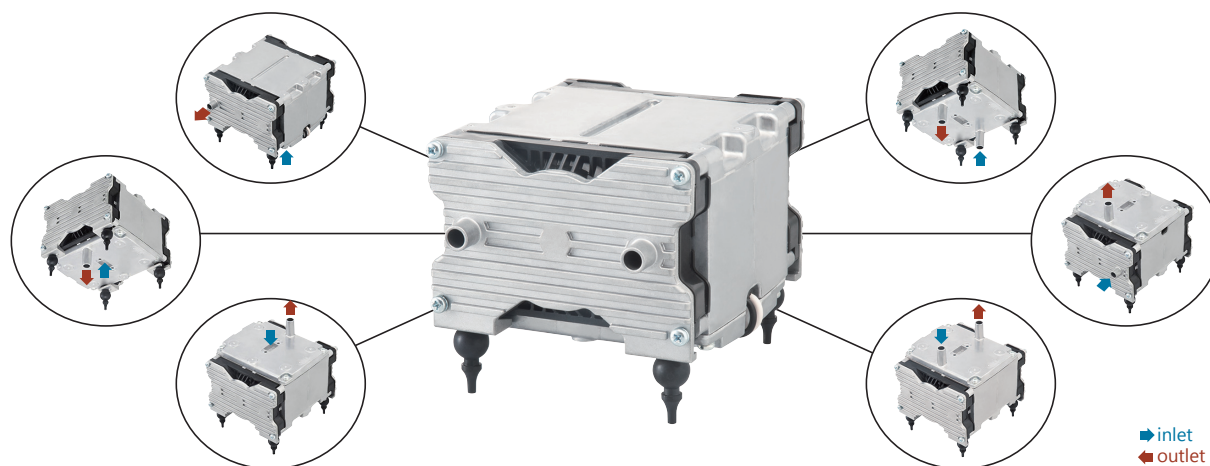
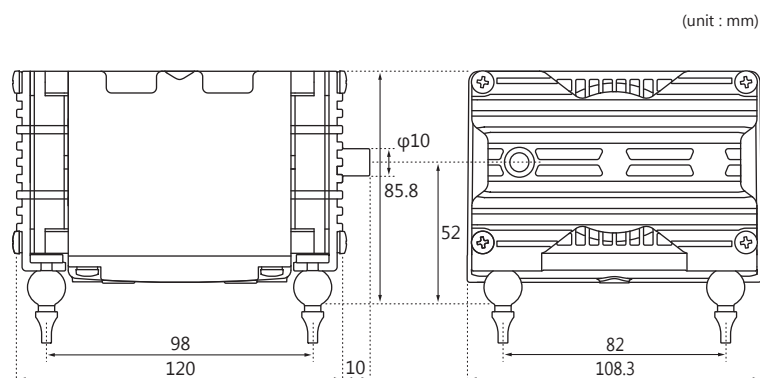


Small capacity air pump **VP-4020 / 5030 / 6035**



*The nozzle position of images are examples.

Dimensions



*The figure represents the standard configuration. Customization of nozzle position is available.

Specifications

	VP-4020		VP-5030		VP-6035				
Rated voltage [V]	AC100, 120, 230								
Power frequency [Hz]	50	60	120V 60	50	60	120V 60			
Max airflow volume [L/min]	42	40	43	46	50	54	52	59	60
Max power consumption [W]	16	17	18	23	26	27	30	36	35
Sound level [dBA]	41	42	43	41.5	42	44	42	43.5	45
Weight [kg]	1.95								

*Sound data shown is with pump operating at 10kPa and exhaust plumbed away from the unit.

Small capacity air pump **VP-4020S / 5030S / 6035S**

VP-4020,5030,6035 : Pressure

VP-4020S,5030S,6035S : Pressure & vacuum

Flexible body structure *Customization of nozzle position

Built-in use

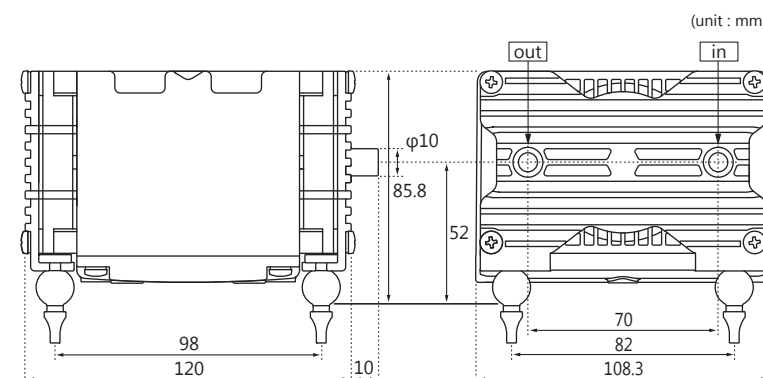
*No power plug included because it is designed for built-in use.

*Rubber-made legs are sharp-pointed. Not for self-standing installation.

Applications

- Air mat, Air bed (continuous air exhaust)
- Air bearing
- Air massager
- Scientific & chemical instruments (analysis and agitation)

Dimensions



*The figure represents the standard configuration. Customization of nozzle position is available.

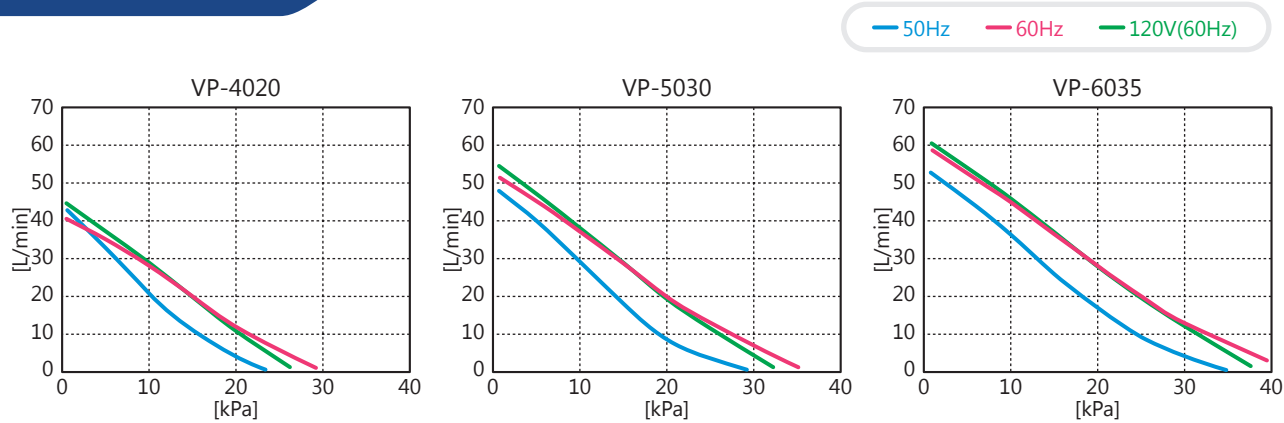
Specifications

	VP-4020S		VP-5030S		VP-6035S				
Rated voltage [V]	AC100, 120, 230								
Power frequency [Hz]	50	60	120V 60	50	60	120V 60			
Max airflow volume [L/min]	47	46	47	56	59	58	63	70	66
	(-47)	(-45)	(-46)	(-56)	(-58)	(-57)	(-63)	(-69)	(-65)
Max power consumption [W]	16	17	18	23	26	27	30	36	35
Sound level [dBA]	31.5	34.5	35	39	38	36.5	40.5	40	
Weight [kg]	1.95								

*The value in parentheses represents vacuum.

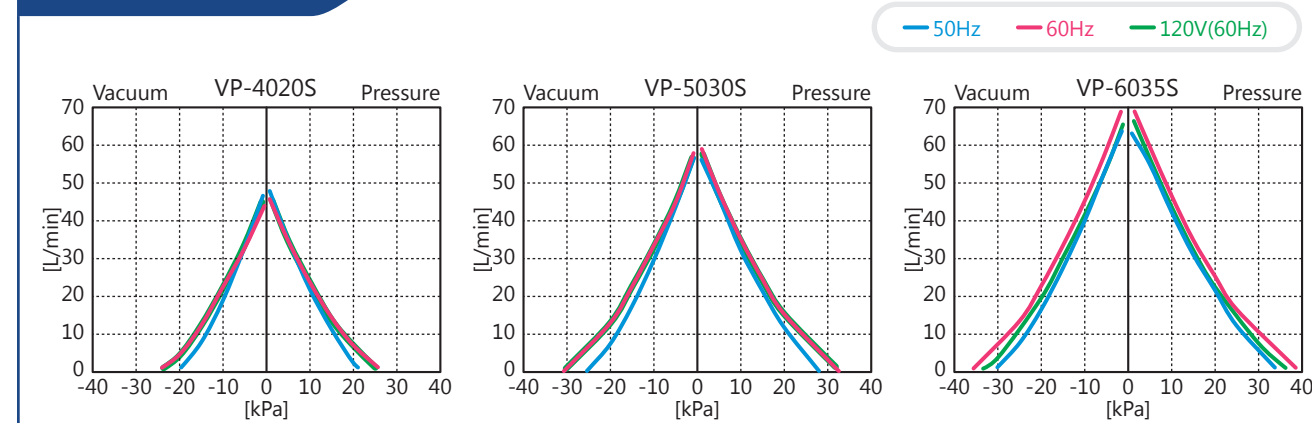
*Sound data shown is with pump operating at 10kPa and exhaust plumbed away from the unit.

Performance Curve



* All characteristics values are only for reference, and are not guaranteed values.
* Note that the operating temperature for our pumps is 41°F(5°C) to 104°F(40°C).

Performance Curve



* All characteristics values are only for reference, and are not guaranteed values.
* Note that the operating temperature for our pumps is 41°F(5°C) to 104°F(40°C).