

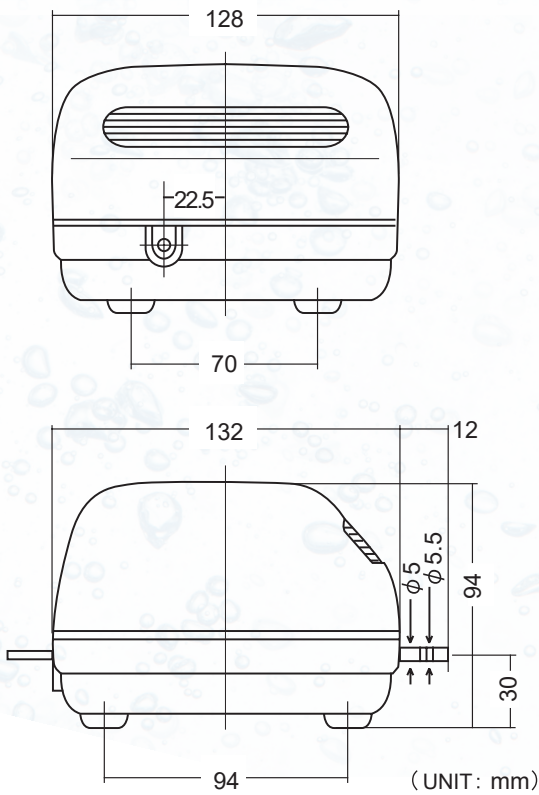
HIBLOW *Baby*



C-5F HIBLOW BABY



SIZE



SPECIFICATIONS

MODEL		C-5F	
		※ "HIGH"SW	※ "LOW"SW
VOLTAGE	V	AC220~240V	
FREQUENCY	Hz	50	
PRESSURE	kPa	4.0	
AIRFLOW	ℓ/min	6.5	3.5
POWER CONSUMPTION	W	8.5	5.5
NOISE	dB(A)(1m)	28	27
WEIGHT	kg	1.0	

PERFORMANCE CURVE

